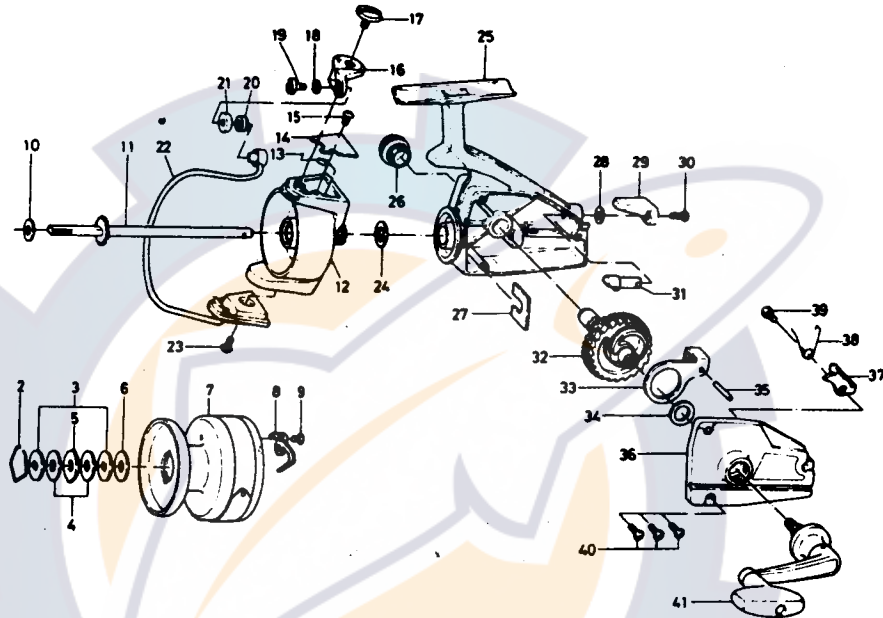


SPINNING REEL **1500C**



Key No.	Parts No.	Parts Name
1	6-740-2103	Drag knob
2	6-170-4001	Drag washer retainer
3	6-373-2502	Drag D washer
4	6-374-2901	Disc washer
5	6-375-5301	Drag A washer
6	6-370-6901	Drag washer A
7	6-734-0001	Spool
8	6-030-4511	Spool click claw
9	6-351-7701	Spool click claw screw
10	6-371-8331	Spool washer
11	6-710-2421	Main shaft
12	6-736-6903	Rotor
13	6-141-7821	Bail spring
14	6-632-6501	Bail spring cover
15	6-351-1801	Bail spring cover screw
16	6-231-3401	Arm lever
17	6-362-3411	Arm lever screw
18	6-375-1001	Bail washer
19	6-353-1811	Bail screw
20	6-250-4221	Line roller
21	6-501-1601	Roller collar

Sold as one unit
Spool assembly
6-733-9901

Key No.	Parts No.	Parts Name
22	6-725-8401	Bail
23	6-351-6601	Bail holder screw
24	6-372-8600	Rotor washer
25	6-701-6601	Body
26	6-363-7401	Handle screw cap
27	6-632-6601	Pinion retainer
28	6-150-1751	Anti-reverse lever washer
29	6-540-8001	Anti-reverse lever
30	6-352-2501	Anti-reverse lever screw
31	6-460-7041	Anti-reverse cam
32	6-414-2801	Drive gear
33	6-480-7501	Oscillating slider
34	6-371-2820	Drive gear washer
35	6-121-1211	Oscillating slider pin
36	6-705-1325	Body cover
37	6-110-7201	Anti-reverse claw
38	6-142-3961	Anti-reverse claw spring
39	6-351-7701	Anti-reverse claw screw
40	6-351-5901	Body cover screw
41	6-747-1101	Handle

